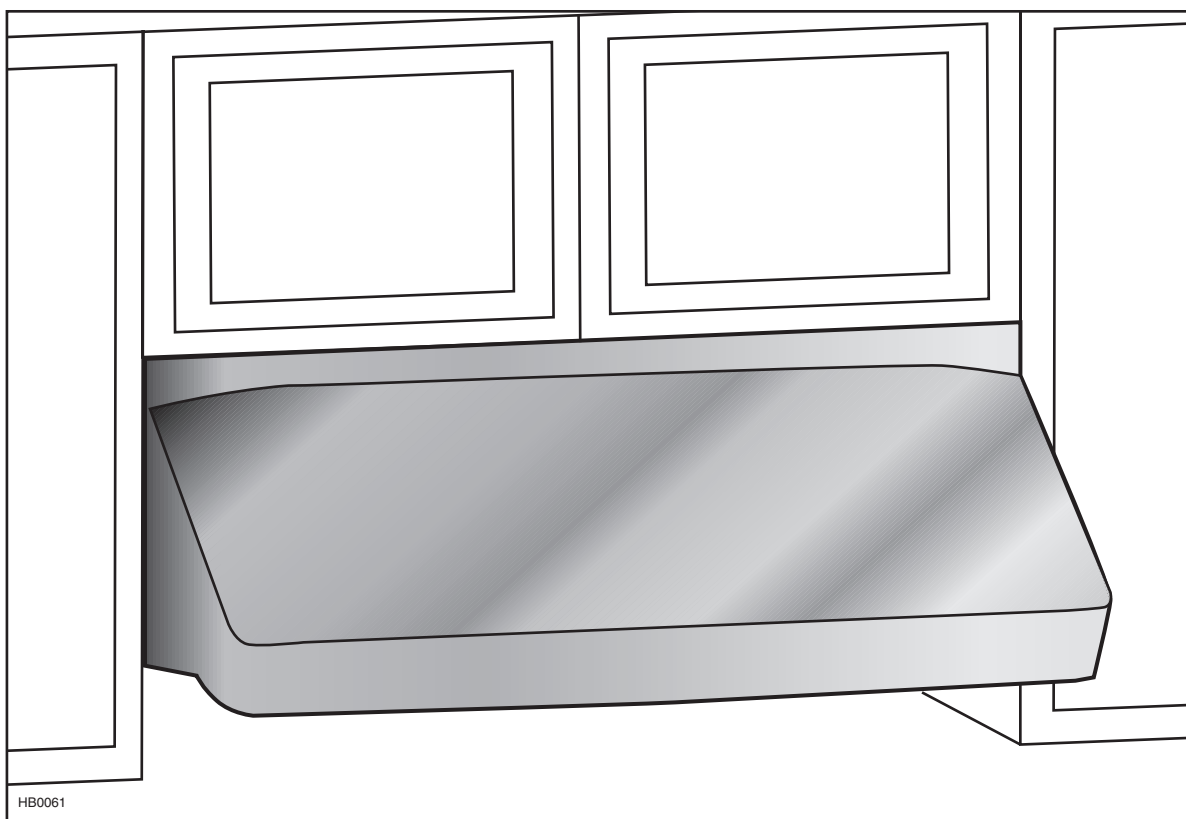


## INSTALLATION INSTRUCTIONS

---



## UP27I and UP27E SERIES

⚠ INTENDED FOR DOMESTIC COOKING ONLY ⚠

**READ AND SAVE THESE INSTRUCTIONS**

INSTALLER: LEAVE THIS MANUAL WITH HOMEOWNER.  
HOMEOWNER: USE AND CARE AND OPERATION INFORMATION ON  
PAGES 13 AND 14.

---

In USA - BEST BY BROAN® P.O. Box 140, Hartford, WI 53027

In Canada - BEST BY BROAN® 550 Lemire Blvd., Drummondville, QC, J2C 7W9

REGISTER YOUR PRODUCT ON LINE AT: [www.bestbybroan.com/register](http://www.bestbybroan.com/register)

For additional information - visit [www.bestbybroan.com](http://www.bestbybroan.com)

V07855 rev. A

## **WARNING**

### **TO REDUCE THE RISK OF FIRE, ELECTRIC SHOCK OR INJURY TO PERSONS, OBSERVE THE FOLLOWING:**

1. Use this unit only in the manner intended by the manufacturer. If you have questions, contact the manufacturer at the address or telephone number listed in the warranty.
2. Before servicing or cleaning unit, switch power off at service panel and lock service disconnecting means to prevent power from being switched on accidentally. When the service disconnecting means cannot be locked, securely fasten a prominent warning device, such as a tag, to the service panel.
3. Installation work and electrical wiring must be done by qualified personnel in accordance with all applicable codes and standards, including fire-rated construction codes and standards.
4. Sufficient air is needed for proper combustion and exhausting of gases through the flue (chimney) of fuel burning equipment to prevent backdrafting. Follow the heating equipment manufacturer's guidelines and safety standards such as those published by the National Fire Protection Association (NFPA), and the American Society for Heating, Refrigeration and Air Conditioning Engineers (ASHRAE), and the local code authorities.
5. When cutting or drilling into wall or ceiling, do not damage electrical wiring and other hidden utilities.
6. Ducted fans must always be vented to the outdoors.
7. Do not use this unit with any additional solid-state speed control device.
8. To reduce the risk of fire, use only steel ductwork.
9. This unit must be grounded.

### **TO REDUCE THE RISK OF A RANGE TOP GREASE FIRE:**

- a) Never leave surface units unattended at high settings. Boilovers cause smoking and greasy spillovers that may ignite. Heat oils slowly on low or medium settings.
- b) Always turn hood ON when cooking at high heat or when flambeing food (i.e.: Crêpes Suzette, Cherries Jubilee, Peppercorn Beef Flambé).
- c) Clean ventilating fans frequently. Grease should not be allowed to accumulate on fans or filters.
- d) Use proper pan size. Always use cookware appropriate for the size of the surface element.

## **WARNING**

### **TO REDUCE THE RISK OF INJURY TO PERSONS IN THE EVENT OF A RANGE TOP GREASE FIRE, OBSERVE THE FOLLOWING\*:**

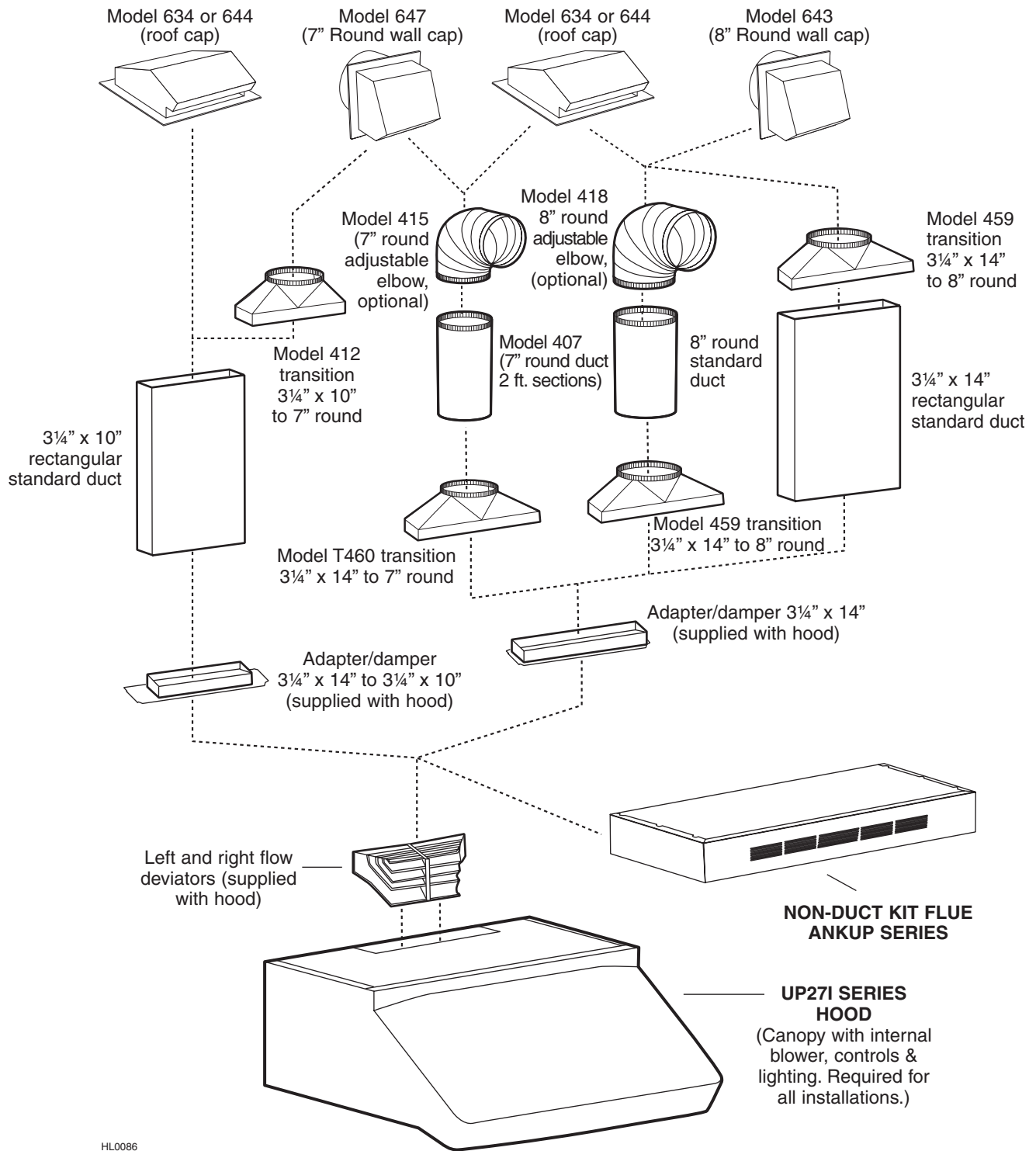
1. SMOTHER FLAMES with a close-fitting lid, cookie sheet or metal tray, then turn off the burner. BE CAREFUL TO PREVENT BURNS. IF THE FLAMES DO NOT GO OUT IMMEDIATELY, EVACUATE AND CALL THE FIRE DEPARTMENT.
2. NEVER PICK UP A FLAMING PAN—You may be burned.
3. DO NOT USE WATER, including wet dishcloths or towels—This could cause a violent steam explosion.
4. Use an extinguisher ONLY if:
  - A. You own a Class ABC extinguisher and you know how to operate it.
  - B. The fire is small and contained in the area where it started.
  - C. The fire department has been called.
  - D. You can fight the fire with your back to an exit.

\* Based on "Kitchen Fire Safety Tips" published by NFPA.

## **CAUTION**

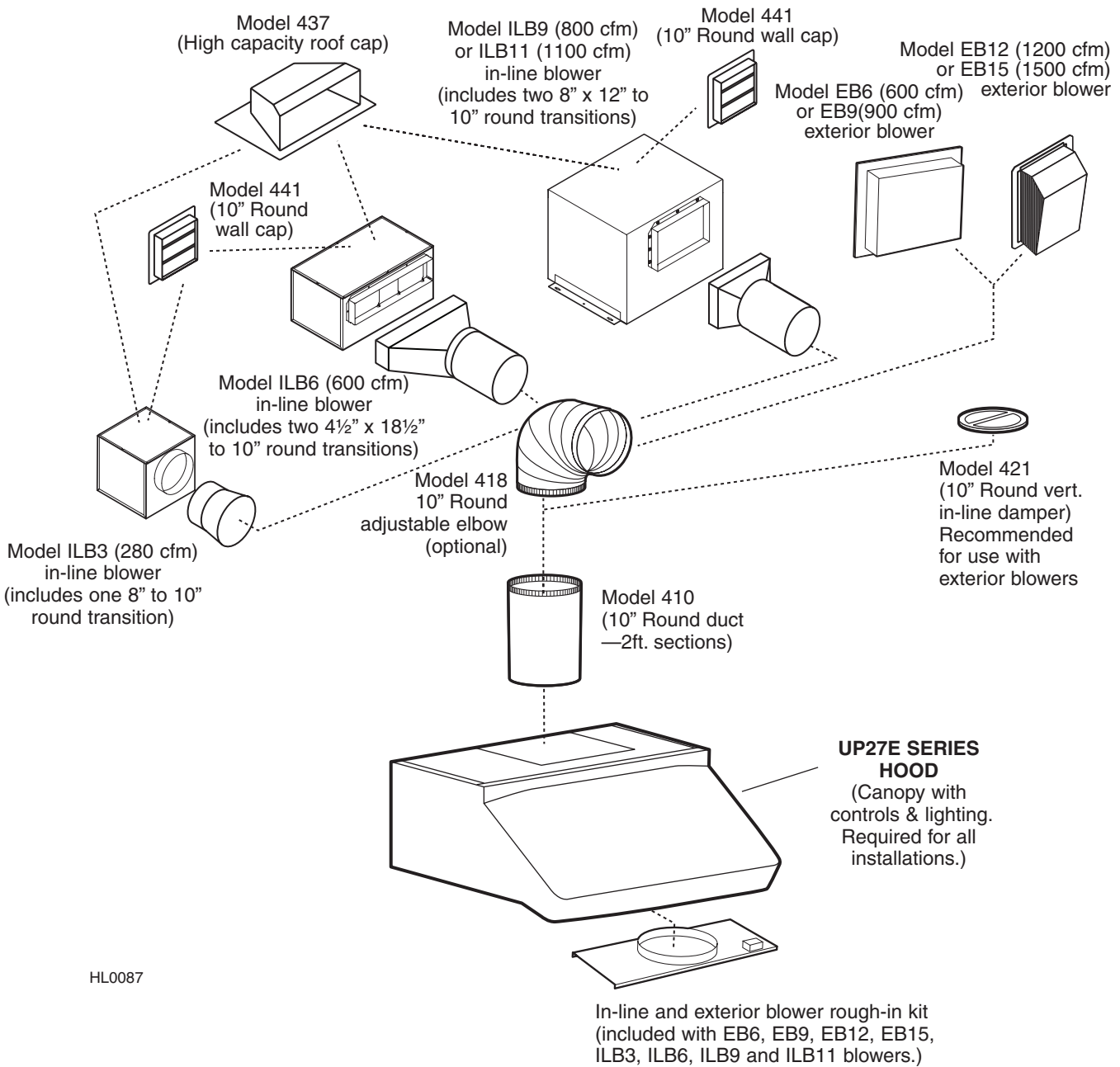
1. For general ventilating use only. Do not use to exhaust hazardous or explosive materials and vapors.
2. To avoid motor bearing damage and noisy and/or unbalanced impellers, keep drywall spray, construction dust, etc. off power unit.
3. Your hood motor has a thermal overload which will automatically shut off the motor if it becomes overheated. The motor will restart when it will be cooled down. If the motor continues to shut off and restart, have the hood serviced.
4. For best capture of cooking impurities, the bottom of the hood should be at a minimum of 24" and at a maximum of 30" above the cooking surface.
5. Two installers are recommended because of the large size and weight of this hood.
6. To reduce the risk of fire and to properly exhaust air, be sure to duct air outside—Do not exhaust air into spaces within walls or ceiling or into attics, crawl space or garage.
7. This product is equipped with a thermostat which may start blower automatically. To reduce the risk of injury and to prevent power from being switched on accidentally, switch power off at service panel and lock or tag service panel.
8. To reduce the risk of fire and electric shock, the Best by Broan UP27E Series hoods must be installed with Best by Broan exterior blower models EB6, EB9, EB12 or EB15; or Best by Broan in-line blowers models ILB3, ILB6, ILB9, ILB11. Other blowers cannot be substituted. (Blowers sold separately.)
9. Please read specification label on product for further information and requirements.

# - UP27I SERIES RANGE HOOD SYSTEM - INTERIOR BLOWER



HL0086

# - UP27E SERIES RANGE HOOD SYSTEM - IN-LINE AND EXTERIOR BLOWERS



HL0087

# 1. SELECT BLOWER OPTION AND INSTALLATION TYPE

## 1.1 NON-DUCTED INSTALLATION (ONLY FOR UP271 SERIES HOODS)

The non-duct kit ANKUP Series (sold separately) must be installed. This kit fits hood from 30-inch width up to 48-inch width. See installation instructions included with the non-duct kit ANKUP Series.

## 1.2 DUCTED INSTALLATION

Either UP271 or UP27E Series range hoods may be ducted. For a UP27E Series range hood, either an exterior blower or in-line blower may be used. The Best by Broan UP27E Series must be installed with blower models ILB3, ILB6, ILB9, ILB11, EB6, EB9, EB12 or EB15 only. Other blowers cannot be substituted. (Blowers sold separately.)

Plan where and how the ductwork will be installed.

NOTE: There is no horizontal exhaust on UP27E Series range hood.

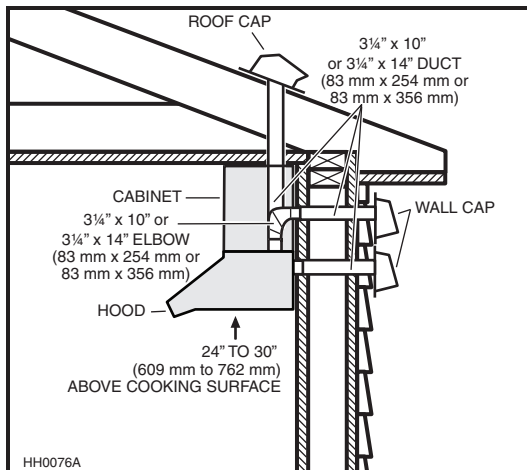
**If installing in-line blower, refer to instructions packed with in-line blower and follow steps 1 up to 3, 5 up to 10, and 12 and up of this manual.**

Install proper-sized ductwork, elbows and roof or wall cap for the type of blower you are installing. Use metal duct tape to seal duct joints.

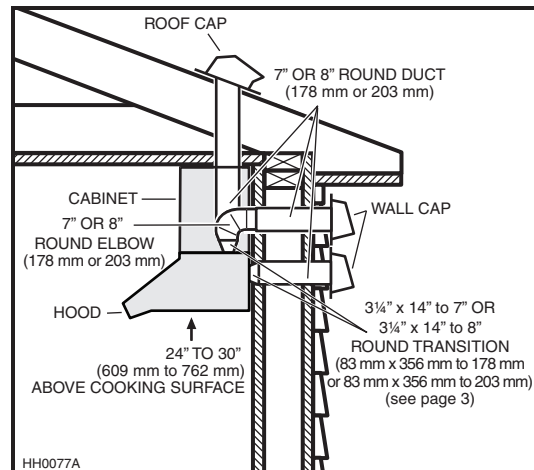
## 1.3 ALL INSTALLATIONS

**The minimum hood distance above cooktop must not be less than 24". A maximum of 30" above cooktop is highly recommended for best capture of cooking impurities.**

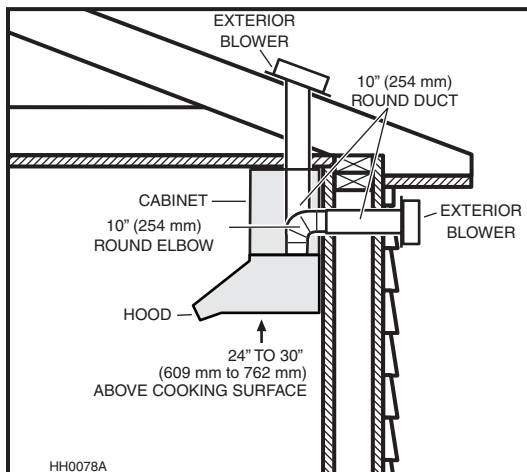
Distances over 30" are at the installer and users discretion.



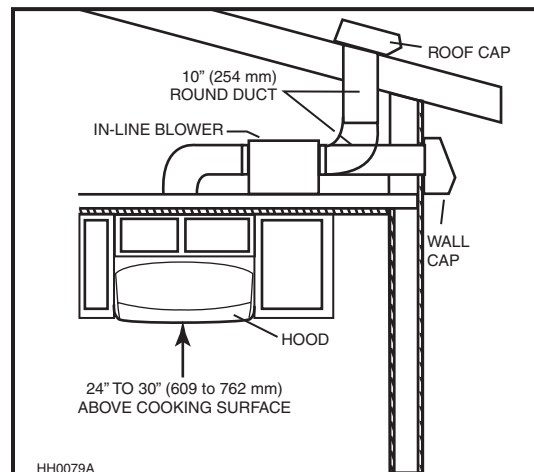
**UP271 (DUAL INTERIOR BLOWER)  
TYPICAL RECTANGULAR DUCTWORK**



**UP271 (DUAL INTERIOR BLOWER)  
TYPICAL ROUND DUCTWORK**



**UP27E WITH MODEL EB6, EB9, EB12 OR EB15  
EXTERIOR BLOWER TYPICAL DUCTWORK**



**UP27E WITH MODEL ILB3, ILB6, ILB9 OR ILB11  
IN-LINE BLOWER TYPICAL DUCTWORK**

## 2. PREPARE THE INSTALLATION

### CAUTION

When performing installation, servicing or cleaning the unit, it is recommended to wear safety glasses and gloves.

Remove the installation kit from inside the hood.

Make sure that the following items are included:

- Installation manual
- Adapter/damper 3¼" x 14" to 3¼" x 10" (exclusively for UP27I Series range hoods, temporarily assembled to pan, behind Evolutionary™ hybrid baffle filters)
- Adapter/damper 3¼" x 14" (exclusively for UP27I Series range hoods, temporarily assembled to pan, behind Evolutionary™ hybrid baffle filters)
- Right and left flow deviators (exclusively for UP27I Series range hoods)
- Accessories including:
  - 3 Evolutionary™ hybrid baffle filters
  - Shielded halogen lights (GU10 type base, 120 V, 50 W) (2 for hoods up to 36" width, 4 for hoods from 42" to 48" width)
  - Bag of parts including:
    - (4) no. 10-32 lock nuts, (1) electrical cable clamp, (8) no. 8 x 1/2" double thread screws, (2) wire connectors,
    - (2) no. 6 x 1/2" standard screws, (6) no.8 x 3/8" screws.

Parts sold separately:

- In-line blower assembly ILB3, ILB6, ILB9 or ILB11 (all include transition and rough-in plate, exclusively for UP27E Series range hoods)
- Exterior blower assembly EB6, EB9, EB12 or EB15 (all include rough-in plate, exclusively for UP27E Series range hoods)
- Transitions, duct, elbows, dampers, wall and roof caps. Refer to pages 3 and 4 for a complete list of venting options and model numbers
- Non-duct kit ANKUP Series, mandatory for non-ducted installation (exclusively for UP27I Series range hoods).

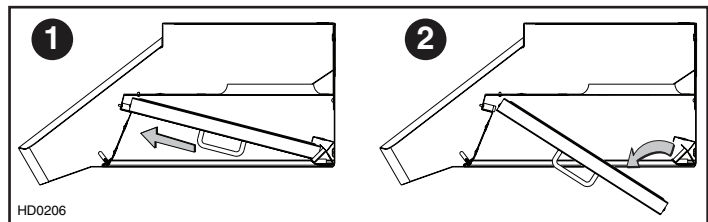
## 3. REMOVE THE FILTERS

Remove tape on baffle filters.

Remove baffle filters from hood by pushing them towards the front of hood (1) and rotating downward (2).

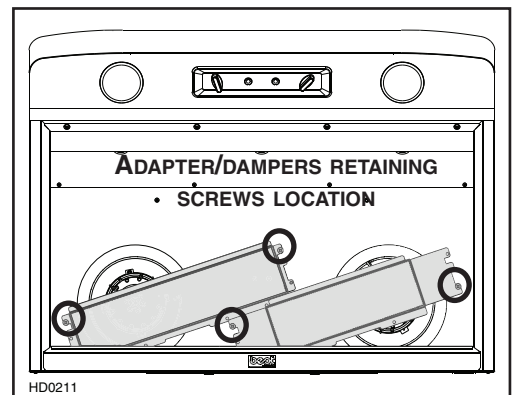
Set aside filters.

NOTE: It is recommended to start with the central one.



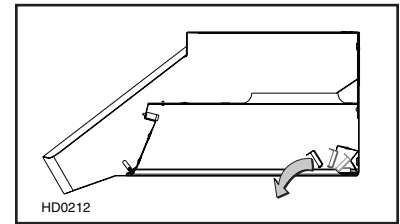
## 4. REMOVE BOTH ADAPTER/DAMPERS (UP27I SERIES RANGE HOODS ONLY)

Disassemble both adapter/dampers (shaded parts on illustration beside) from hood pan by removing their retaining screws (2 screws per adapter and damper). Discard the screws.



## 5. REMOVE THE GREASE DRIP RAIL

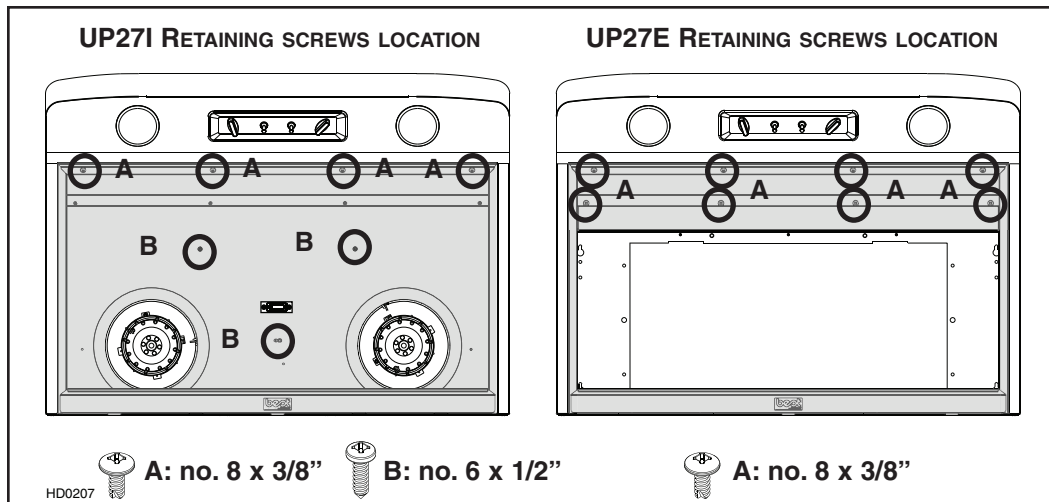
Remove tape on grease drip rail. Lift out grease drip rail and set aside.



## 6. REMOVE THE PAN

Using a Phillips no. 2 screwdriver, remove the screws retaining the pan (shaded parts on illustration below) to the hood. Remove the pan and set aside.

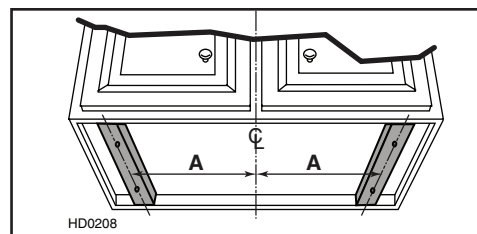
NOTE: There are 2 screw models for UP27I pan retaining screws; the flat end type (A) (n°. 8 x 3/8") are shorter and located near the front of the hood and the pointed end ones (B) (n°. 6 x 1/2") are longer located in the middle of the hood. UP27E pan retaining screws are all the same.



## 7. PREPARE THE CABINET

For cabinets with recessed bottom, attach two wood filler strips cut to length (not included), on each side, as shown below. See table below for wood filler strips location.

HOOD WIDTHS	CENTER OF WOOD STRIP LOCATION (A)
30"	13 3/8"
36"	16 3/8"
42"	19 3/8"
48"	22 3/8"

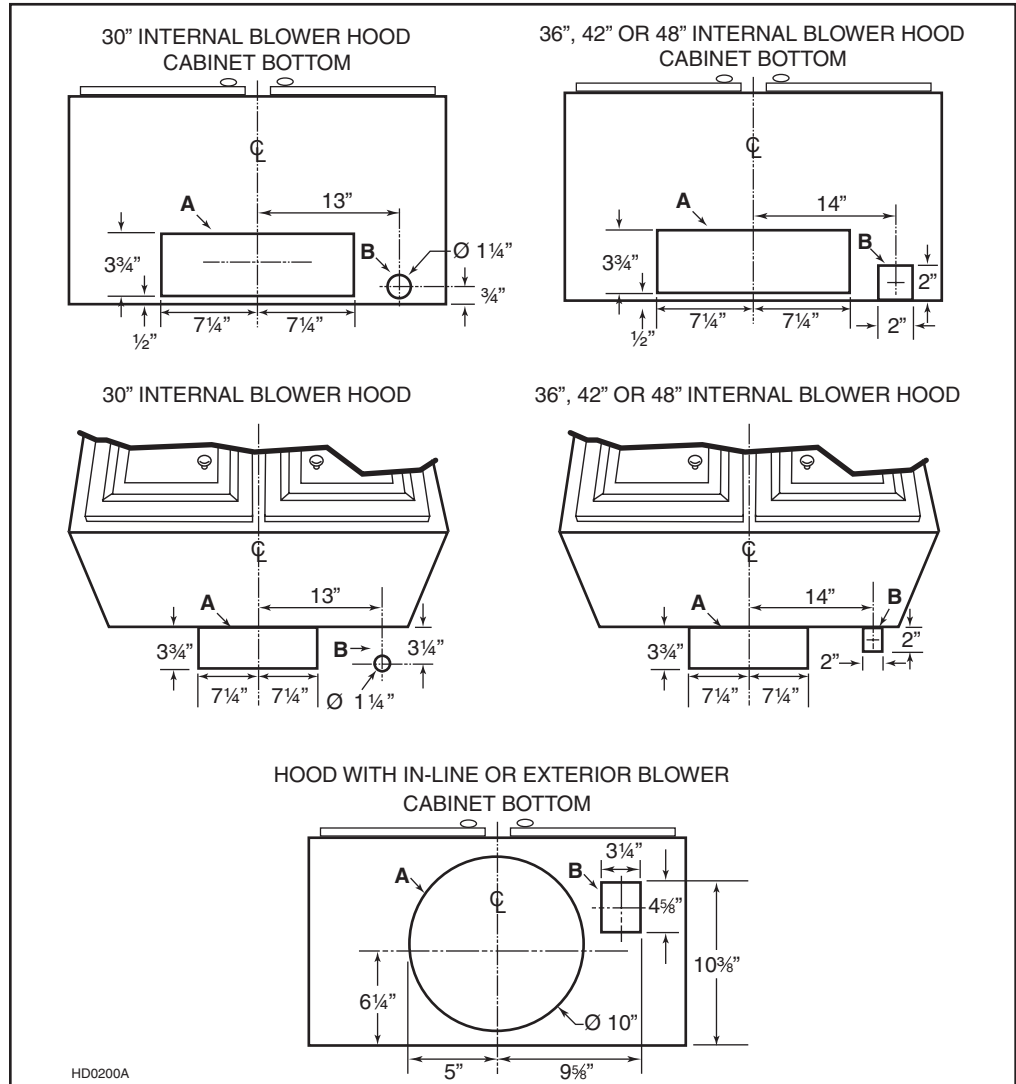


## 7. PREPARE THE CABINET (CONT'D)

### 7.1 DUCTED INSTALLATION:

Cut-out the openings for duct (A) and house wiring (120 V AC)(B) according to the direction of discharge chosen. See figures beside.

NOTE: For all UP271 Series (internal blower) range hoods, the cut-out opening for house wiring (120 V AC) can be made in cabinet bottom OR wall, no matter the discharge chosen (horizontal or vertical).



### 7.2 NON-DUCTED INSTALLATION: NON-DUCT KIT FLUE ANKUP SERIES (ONLY FOR UP271 SERIES RANGE HOODS)

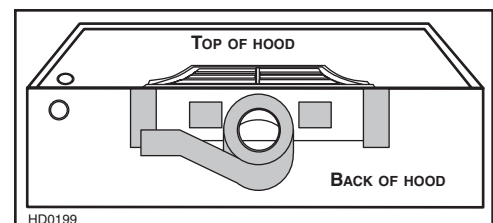
Refer to the installation sheet included with the non-duct kit for details.

## 8. PREPARE THE HOOD

### 8.1 UP271 SERIES RANGE HOOD (INTERNAL BLOWER)

#### VERTICAL DISCHARGE

Seal the metal shut-off plate on the back of the hood using duct tape.



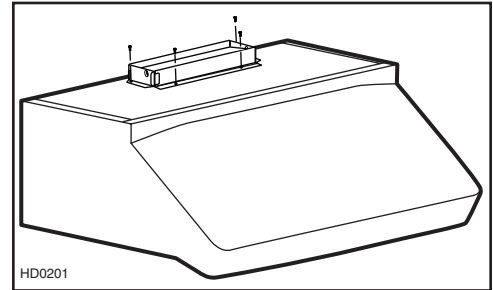


## 8. PREPARE THE HOOD (CONT'D)

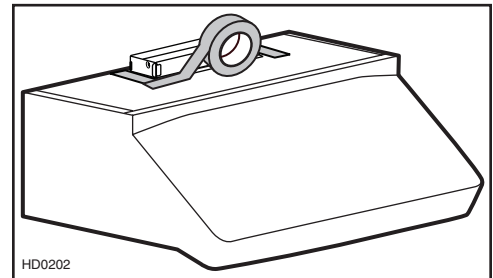
### 8.1 UP27I SERIES RANGE HOOD (INTERNAL BLOWER) (CONT'D)

#### VERTICAL DISCHARGE (CONT'D)

Using 4 no. 8 x 3/8" screws provided with hood, secure the chosen adapter/damper to the top of the hood. Remove tape from damper flap.

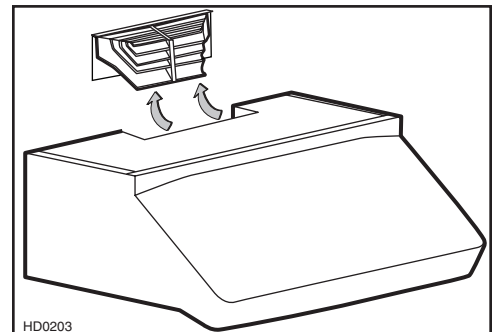


Seal the adapter/damper to the hood using duct tape.

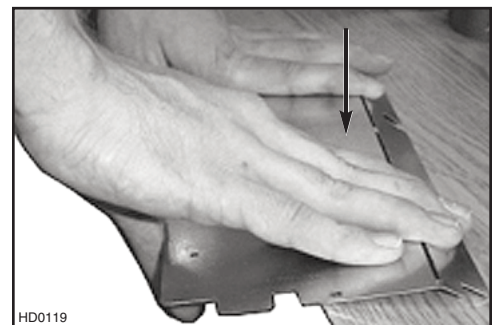


#### HORIZONTAL DISCHARGE (DUCTED INSTALLATION ONLY)

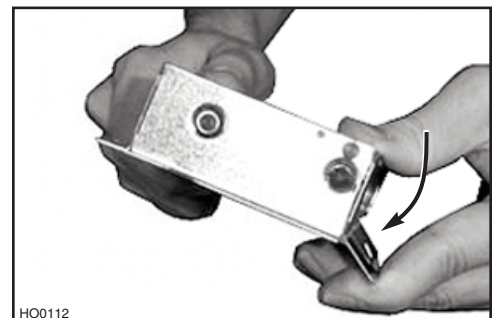
The UP27I Series range hoods are factory set to exhaust vertically. If the horizontal discharge is chosen, remove the metal shut-off plate from the back of the hood, by removing its 3 screws. Set aside the screws. Discard both left and right flow deviators assembled to the metal shut-off plate.



Press the metal shut-off plate on a flat surface to completely flatten bent flange, and install on top of hood using 3 screws previously removed plus another no. 8 x 3/8" screw (from parts bag).



Fold down the foldable flange of the chosen adapter/damper. This flange must be at 90° from the remaining flanges. See picture beside.

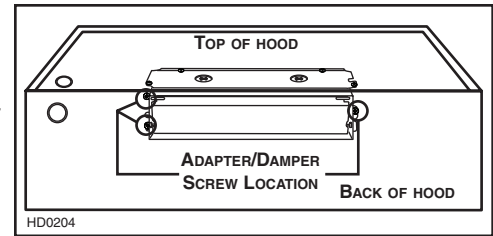


## 8. PREPARE THE HOOD (CONT'D)

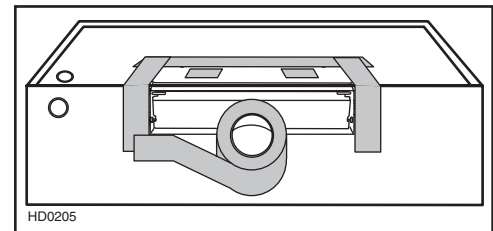
### 8.1 UP27I SERIES RANGE HOOD (INTERNAL BLOWER) (CONT'D)

#### HORIZONTAL DISCHARGE (DUCTED INSTALLATION ONLY)(CONT'D)

Using 3 no. 8 x 3/8" screws provided with hood, secure the adapter/damper on the back of the hood. Remove tape from damper flap.

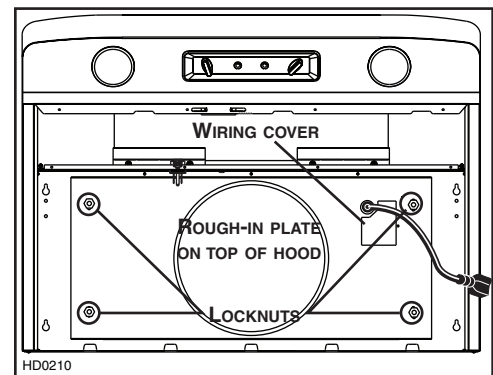


Seal the adapter/damper and the metal shut-off plate to the hood using duct tape.



### 8.2 UP27E SERIES RANGE HOOD (EXTERIOR OR IN-LINE BLOWER)

Run house wiring (120 V AC) to installation location. Refer to the instructions included with the selected blower/rough-in kit (sold separately) for details on installing the rough-in plate. Install the rough-in plate so that the wiring box is located on the right side as you are facing the hood.



## 9. CONNECT WIRING

### **⚠ WARNING**

**Risk of electrical shock. Electrical wiring must be done by qualified personnel in accordance with all applicable codes and standards. Before connecting wires, switch power off at service panel and lock service disconnecting means to prevent power to be switched on accidentally.**

#### 9.1 UP27I SERIES RANGE HOOD (INTERNAL BLOWER)

Run house wiring (120 V AC) to installation location. Place the electrical cable clamp, insert the cable in the hood and tighten the electrical cable clamp to secure the cable. Connect BLACK to BLACK, WHITE to WHITE and GREEN or bare wire under GREEN ground screw.

#### 9.2 UP27E SERIES RANGE HOOD (EXTERIOR OR IN-LINE BLOWER)

Remove wiring cover from rough-in plate and set aside.

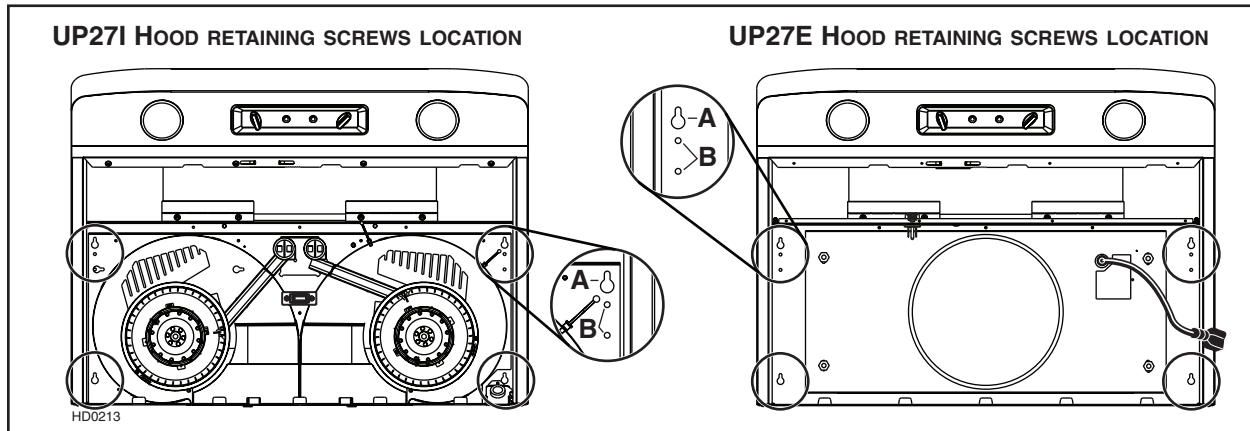
Connect BLACK to BLACK, WHITE to WHITE and GREEN or bare wire under GREEN ground screw.

Reinstall wiring cover on rough-in plate.

## 10. INSTALL THE HOOD

Place the hood at its location. Using a pen, mark the position of the screw (smaller part of the keyholes [A]). Remove the hood and install (4) 1/2" double thread screws at marked positions, leaving a 1/8" gap.

Place the hood under the cabinet and slide it in position. Make sure the adapter/damper enters the ducting and the damper opens freely (UP27I Series range hood only), or ensure ducting connects to rough-in plate (UP27E Series range hood only). Secure the hood by tightening the screws completely. Install the last 1/2" double thread screws in the remaining holes [B].

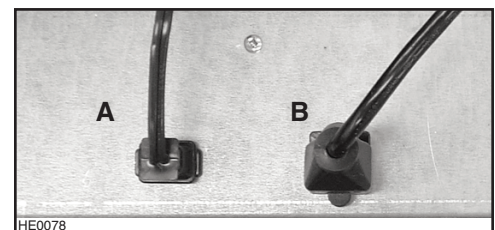


## 11. INSTALL THE BLOWER (EXTERIOR BLOWER, UP27E SERIES RANGE HOOD ONLY)

Refer to instructions included with blower.

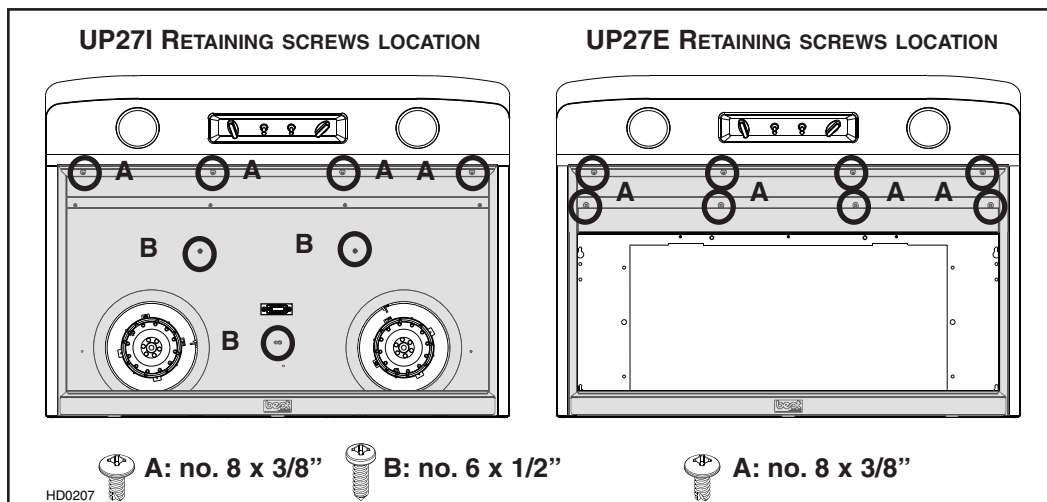
Once the blower is installed, plug the blower cord (A) into the female receptacle and the power supply cord (B) onto the male connector inside the hood.

**⚠ WARNING**  
Do not plug the two cords into each other.



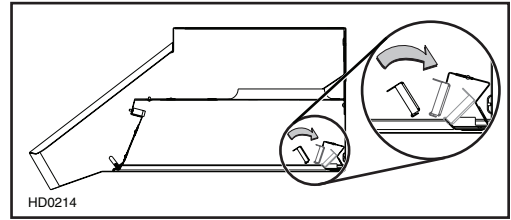
## 12. REINSTALL THE PAN

Using a Phillips screwdriver and the pan retaining screws, reinstall the pan (previously removed in step 6) inside the hood (shaded parts on illustration below).



## 13. REINSTALL GREASE DRIP RAIL AND BAFFLE FILTERS

Reinstall the grease drip rail.



### CAUTION

**Remove protective plastic film covering Evolutionary™ hybrid baffle filters before installing them.**

#### 13.1 DUCTED INSTALLATION:

Reinstall Evolutionary™ hybrid baffle filters on the hood.

#### 13.2 NON-DUCTED INSTALLATION:

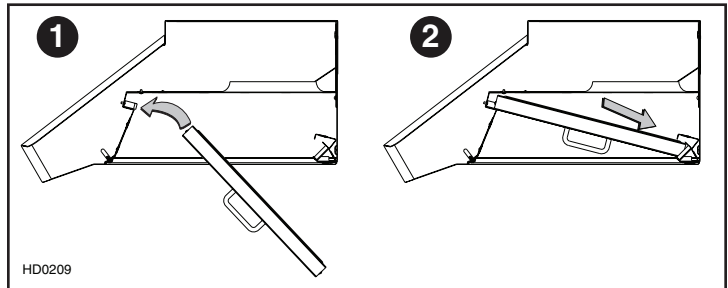
Slide out and discard the secondary micromesh filters from the back of the baffle filters. Slide in the charcoal filters included in the non-duct kit. Reinstall the baffle filters on the hood.

It is recommended to install side filters first and finish with center one.

1. Insert one end of Evolutionary™ hybrid baffle filter into the front channel of the hood.
2. Raise the other end toward the inside of hood and insert in the grease drip rail of the hood.

Replacement filters are available from your dealer. See label inside hood for size and part number.

For charcoal filter replacement kit, see table on pages 15 and 16.



## 14. LIGHT BULBS REPLACEMENT

### ⚠ WARNING

**In order to prevent the risk of personal injury, do not install a lamp identified for use only in enclosed fixtures.**

This hood must use 120 V, 50 W, MR16 with GU10 base or PAR16 with GU10 base, shielded halogen lamps (included).

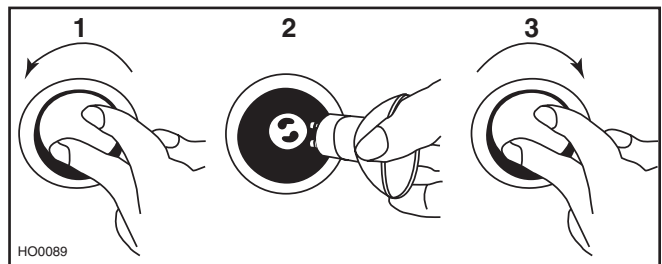
### ⚠ WARNING

**In order to prevent the risk of personal injury, the halogen lamps must be cooled down before removing them.**

1. To remove lamps, gently push upwards and turn counterclockwise to disengage bulb leads from their grooves.

NOTE: If need be, use a rubber dishwashing glove to add grip when removing the bulb.

2. Install the new lamps by placing the bulb leads into their grooves in the socket.
3. Gently push upwards and turn clockwise until secure.



## 15. USE AND CARE

### Evolutionary™ Hybrid Baffle Filters

The Evolutionary™ hybrid baffle filters should be cleaned frequently. Use a warm detergent solution. Wash more often if your cooking style generates greater grease—like frying foods or wok cooking.

Remove Evolutionary™ hybrid baffle filters by pushing them towards the front of hood and rotating filters downward. Slide out the secondary micromesh filter from the back of each hybrid baffle filter before cleaning. Baffle filters are dishwasher safe. Clean secondary filters with a warm detergent solution. Allow filters to dry completely before reinstalling them in the hood.

### CAUTION

**Never attempt to wash the carbon filters in the non-duct kit. Those filters must be replaced by new ones. Refer to the non-duct kit installation instructions for details.**

### Grease Drip Rail

The grease drip rail should be cleaned frequently. Lift it out from the hood and use a warm detergent solution. As for the baffle filters, wash more often if your cooking style generates greater grease—like frying foods or wok cooking. Allow grease drip rail to dry completely before reinstalling it in the hood.

### Blower Cleaning

#### INTERIOR BLOWER

Remove the filters in order to access the blower. Vacuum blower to clean. Do not immerse in water.

#### EXTERIOR OR IN-LINE BLOWER

Refer to blower instruction manual for more details.

### Hood Cleaning

Stainless steel cleaning: How to maintain its “BRIGHT LOOK”

#### Do:

- Regularly wash with clean cloth or rag soaked with warm water and mild soap or liquid dish detergent.
- Always clean in the direction of original polish lines.
- Always rinse well with clear water (2 or 3 times) after cleaning. Wipe dry completely.
- You may also use a specialized household stainless steel cleaner.

#### Don't:

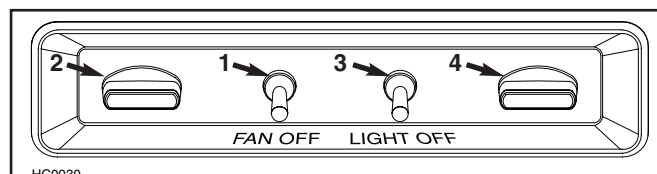
- Do not use any steel or stainless steel wool or any other scrapers to remove stubborn dirt.
- Do not use any harsh or abrasive cleansers.
- Do not allow dirt to accumulate.
- Do not let plaster dust or any other construction residues reach the hood. During construction/renovation, cover the hood to make sure no dust sticks to stainless steel surface.

#### Avoid: When choosing a detergent

- Any cleaners that contain **bleach** will attack stainless steel.
- Any products containing: **chloride, fluoride, iodide, bromide** will deteriorate surfaces rapidly.
- Any combustible products used for cleaning such as **acetone, alcohol, ether, benzol**, etc., are highly explosive and should never be used close to a range.

## 16. OPERATION

Always turn ON your hood before you begin cooking in order to establish an air flow in the kitchen. Let the blower run for a few minutes to clear the air after you turn off the range. This will help keep the whole kitchen cleaner and brighter.



1. ON/OFF Blower switch  
2. Blower speed control

3. ON/OFF Halogen light switch  
4. Light intensity control

### Blower

The blower is operated using two (2) controls.

Use the ON/OFF toggle switch (item 1 on picture above) to start and stop the blower. When turned on, the blower will operate at the previous setting of the speed control (item 2 on picture above).

Turn the speed control knob counterclockwise to increase blower speed—clockwise to decrease speed.

## 16. OPERATION (CONT'D)

### HEAT SENTRY

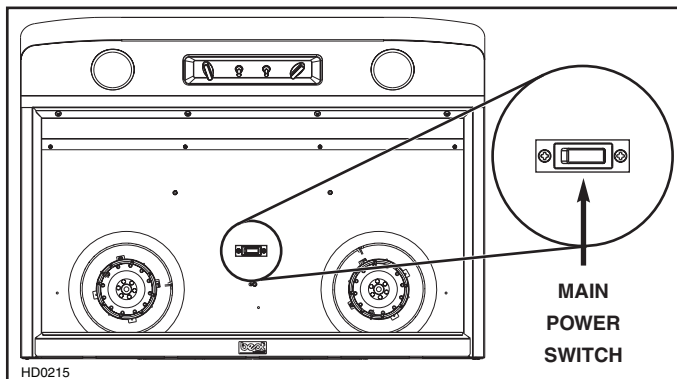
Both UP271 and UP27E series are equipped with a HEAT SENTRY thermostat.

- If blower is ON at a lower speed setting and excessive heat is detected above the cooking surface, it turns the blower up to HIGH speed. When the temperature level drops to normal, the blower will return to its original setting.
- If blower is OFF and excessive heat is detected above the cooking surface, HEAT SENTRY will turn the blower to HIGH speed. When the temperature level drops to normal, the blower turns back OFF.

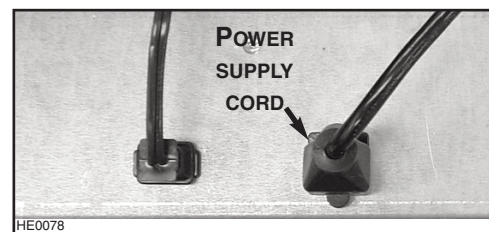
### WARNING

**The HEAT SENTRY can start the blower even if the hood is turned OFF. In this case, it is impossible to turn the blower OFF with blower switch. To stop the blower on UP271 series, the main power switch located behind the baffle filters must be in the “OFF” position. As for UP27E series, disconnect the power supply cord from the male hood connector. See illustrations below.**

UP271 SERIES



UP27E SERIES



### Cooktop Lighting (Halogen)

The halogen lighting is controlled by two switches; one ON/OFF switch and one light intensity control switch.

When turned on, the halogen bulbs will light cooktop at the previous setting of the light intensity control.

Turn the light intensity control knob counterclockwise to increase lighting—clockwise to decrease lighting.

Use 120 V, 50 W, MR16 with GU10 base or PAR16 with GU10 base, shielded halogen lamps (included).

## WARRANTY

### BROAN ONE-YEAR LIMITED WARRANTY

Broan warrants to the original consumer purchaser of its products that such products will be free from defects in materials or workmanship for a period of one year from the date of original purchase. THERE ARE NO OTHER WARRANTIES, EXPRESS OR IMPLIED, INCLUDING, BUT NOT LIMITED TO, IMPLIED WARRANTIES OR MERCHANTABILITY OR FITNESS FOR A PARTICULAR PURPOSE.

During this one-year period, Broan will, at its option, repair or replace, without charge, any product or part which is found to be defective under normal use and service.

This warranty does not cover (a) normal maintenance and service or (b) any products or parts which have been subject to misuse, negligence, accident, improper maintenance or repair (other than by Broan), faulty installation or installation contrary to recommended installation instructions.

The duration of any implied warranty is limited to the one-year period as specified for the express warranty. Some states or provinces do not allow limitation on how long an implied warranty lasts, so the above limitation may not apply to you.

**BROAN'S OBLIGATION TO REPAIR OR REPLACE, AT BROAN'S OPTION, SHALL BE THE PURCHASER'S SOLE AND EXCLUSIVE REMEDY UNDER THIS WARRANTY. BROAN SHALL NOT BE LIABLE FOR INCIDENTAL, CONSEQUENTIAL OR SPECIAL DAMAGES ARISING OUT OF OR IN CONNECTION WITH PRODUCT USE OR PERFORMANCE. Some states or provinces do not allow the exclusion or limitation of incidental or consequential damages, so the above limitation or exclusion may not apply to you.**

This warranty gives you specific legal rights, and you may also have other rights, which vary from state to state or province to another. Any modification performed on this product without the authorization of Broan will void this warranty. This warranty supersedes all prior warranties.

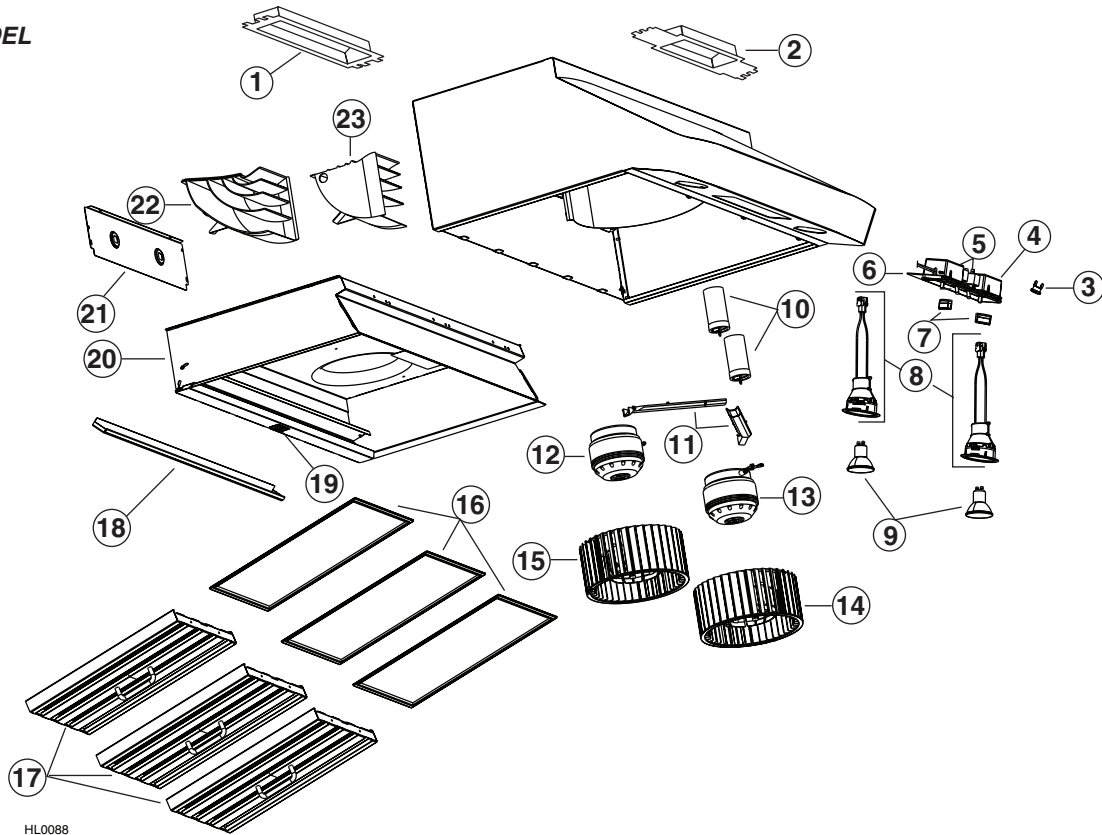
To qualify for warranty service, you must (a) notify Broan at the address or telephone number stated below, (b) give the model number and part identification and (c) describe the nature of any defect in the product or part. At the time of requesting warranty service, you must present evidence of the original purchase date.

**Best by Broan®**, P.O. Box 140, Hartford, WI 53027 USA (1-800-637-1453)

**Best by Broan®**, 550 Lemire Blvd., Drummondville, QC J2C 7W9 CANADA (1-866-737-7770)

# SERVICE PARTS

## UP271 MODEL



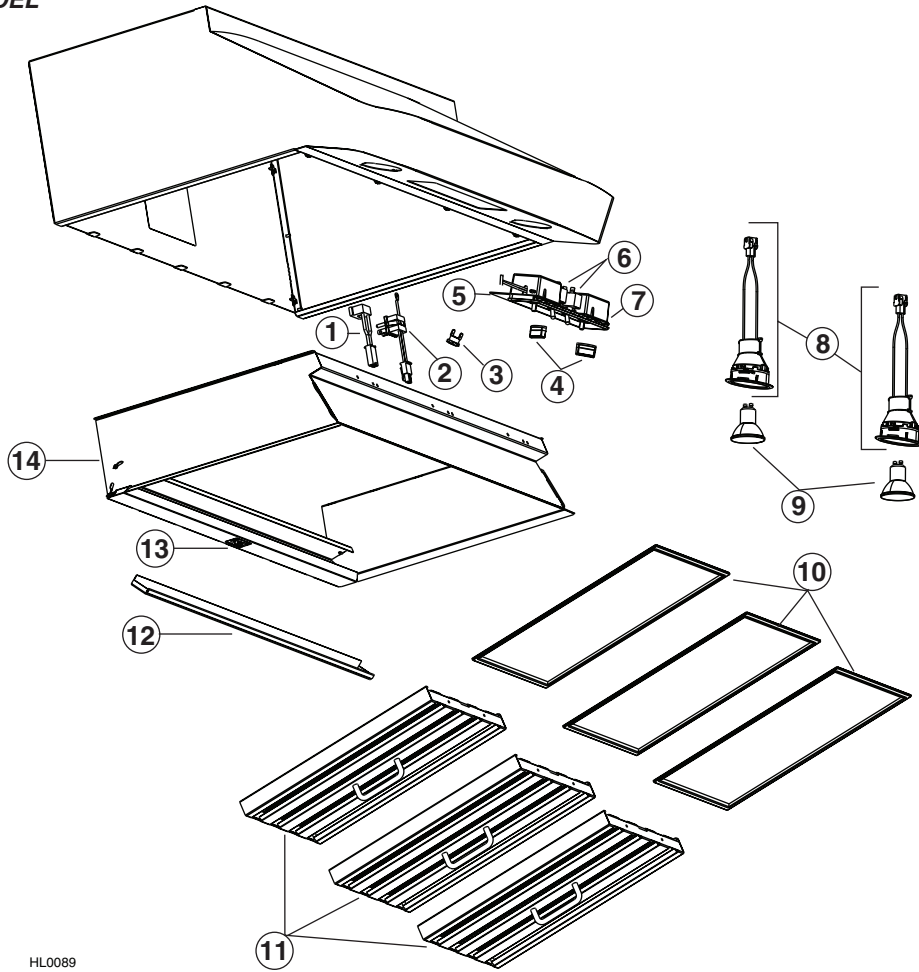
HL0088

KEY NO.	PART NUMBER	DESCRIPTION	QTY (HOOD WIDTH)			
			30"	36"	42"	48"
1	V14971	ADAPTER/DAMPER 3¼" x 14"	1	1	1	1
2	T461	ADAPTER/DAMPER 3¼" x 14" TO 3¼" x 10"	1	1	1	1
3	V03435	THERMISTOR HEAT SENTRY	1	1	1	1
4	V07834	ROTARY CONTROL	2	2	2	2
5	V07689	TOGGLE SWITCH	2	2	2	2
6	V16966	PLASTIC CONTROL FRAME AND KNOB ASS'Y	1	1	1	1
7	V07688	KNOB	2	2	2	2
8	V16569	LAMP SHELL, SOCKET AND TRIM ASS'Y	2	2	4	4
9	V05921	HALOGEN BULBS (50 W, 120 V, PAR16, GU-10)	2	2	4	4
10	V02160	CAPACITOR 15 µF	2	2	2	2
11	V01857	WIRE COVER	2	2	2	2
12	V01766	MOTOR 165 W CLOCKWISE	1	1	1	1
13	V03457	MOTOR 165 W COUNTERCLOCKWISE	1	1	1	1
14	V03399	HOOD BLOWER WHEEL, 7.094" x 3.375", COUNTERCLOCKWISE	1	1	1	1
15	V03400	HOOD BLOWER WHEEL, 7.094" x 3.375", CLOCKWISE	1	1	1	1
16	V08070	SECONDARY MICROMESH FILTER 8.84" x 13.35"	3	2	1	-
16	V08071	SECONDARY MICROMESH FILTER 14.84" x 13.35"	-	1	2	3
17	V17025	EVOLUTIONARY™ HYBRID BAFFLE FILTER 8.95" x 13.5" x 1" (INCL. ITEM 16)	3	2	1	-
17	V17026	EVOLUTIONARY™ HYBRID BAFFLE FILTER 14.95" x 13.5" x 1" (INCL. ITEM 16)	-	1	2	3
18	V16793	GREASE DRIP RAIL 30"	1	-	-	-
18	V16794	GREASE DRIP RAIL 36"	-	1	-	-
18	V16795	GREASE DRIP RAIL 42"	-	-	1	-
18	V16796	GREASE DRIP RAIL 48"	-	-	-	1
19	V05869	BEST BY BROAN LOGO	1	1	1	1
20	V15457	INTERNAL FRAME ASS'Y 30" x 22" x 10" (INCLUDING ITEM 19)	1	-	-	-
20	V15458	INTERNAL FRAME ASS'Y 36" x 22" x 10" (INCLUDING ITEM 19)	-	1	-	-
20	V15459	INTERNAL FRAME ASS'Y 42" x 22" x 10" (INCLUDING ITEM 19)	-	-	1	-
20	V15460	INTERNAL FRAME ASS'Y 48" x 22" x 10" (INCLUDING ITEM 19)	-	-	-	1
21	V15512	BACK PLATE	1	1	1	1
22	V06242	LEFT FLOW DEVIATOR	1	1	1	1
23	V06243	RIGHT FLOW DEVIATOR	1	1	1	1
*	V03503	MAIN POWER SWITCH	1	1	1	1
*	V02001	MOTOR GROMMET G-431-1	6	6	6	6
*	V07855	INSTALLATION GUIDE	1	1	1	1
		PARTS BAG (ELECTRICAL CABLE CLAMP LP16-AP (1),				
*	V13278	WIRE CONNECTORS NO. 74B (2), DOUBLE THREADED SCREWS 6-12 x 0.5 (6), SCREWS NO. 8 x 3/8" (6), NUTS NO. 10-32 (4), SCREWS NO. 6 x 1/2" (2)	1	1	1	1
*	V17020	ANKUP CHARCOAL FILTER KIT (INCLUDING 3 CHARCOAL FILTERS)	1	-	-	-
*	V17021	ANKUP CHARCOAL FILTER KIT (INCLUDING 3 CHARCOAL FILTERS)	-	1	-	-
*	V17022	ANKUP CHARCOAL FILTER KIT (INCLUDING 3 CHARCOAL FILTERS)	-	-	1	-
*	V17023	ANKUP CHARCOAL FILTER KIT (INCLUDING 3 CHARCOAL FILTERS)	-	-	-	1

\* NOT SHOWN.

# SERVICE PARTS

## UP27E MODEL



HL0089

KEY NO.	PART NUMBER	DESCRIPTION	QTY (HOOD WIDTH)			
			30"	36"	42"	48"
1	V13923	FEMALE CONNECTOR	1	1	1	1
2	V13924	MALE CONNECTOR	1	1	1	1
3	V03435	THERMISTOR HEAT SENTRY	1	1	1	1
4	V07688	KNOB	2	2	2	2
5	V16966	PLASTIC CONTROL FRAME AND KNOB ASS'Y	1	1	1	1
6	V07689	TOGGLE SWITCH	2	2	2	2
7	V07834	ROTARY CONTROL	2	2	2	2
8	V16569	LAMP SHELL, SOCKET AND TRIM ASS'Y	2	2	4	4
9	V05921	HALOGEN BULBS (50 W, 120 V, PAR16, GU-10)	2	2	4	4
10	V08070	SECONDARY MICROMESH FILTER 8.84" x 13.35"	3	2	1	-
	V08071	SECONDARY MICROMESH FILTER 14.84" x 13.35"	-	1	2	3
11	V17025	EVOLUTIONARY™ HYBRID BAFFLE FILTER 8.95" x 13.5" x 1" (INCL. ITEM 10)	3	2	1	-
	V17026	EVOLUTIONARY™ HYBRID BAFFLE FILTER 14.95" x 13.5" x 1" (INCL. ITEM 10)	-	1	2	3
12	V16793	GREASE DRIP RAIL 30"	1	-	-	-
	V16794	GREASE DRIP RAIL 36"	-	1	-	-
	V16795	GREASE DRIP RAIL 42"	-	-	1	-
	V16796	GREASE DRIP RAIL 48"	-	-	-	1
13	V05869	BEST BY BROAN LOGO	1	1	1	1
	V15461	INTERNAL FRAME ASS'Y 30" x 22" x 10" (INCLUDING ITEM 13)	1	-	-	-
14	V15462	INTERNAL FRAME ASS'Y 36" x 22" x 10" (INCLUDING ITEM 13)	-	1	-	-
	V15463	INTERNAL FRAME ASS'Y 42" x 22" x 10" (INCLUDING ITEM 13)	-	-	1	-
	V15464	INTERNAL FRAME ASS'Y 48" x 22" x 10" (INCLUDING ITEM 13)	-	-	-	1
*	V07855	INSTALLATION GUIDE	1	1	1	1
*	V13278	PARTS BAG (ELECTRICAL CABLE CLAMP LP16-AP (1), WIRE CONNECTORS NO. 74B (2), DOUBLE THREADED SCREWS 6-12 x 0.5 (6), SCREWS NO. 8 x 3/8" (6), NUTS NO. 10-32 (4), SCREWS NO. 6 x 1/2" (2))	1	1	1	1

\* NOT SHOWN.